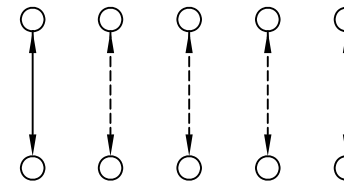
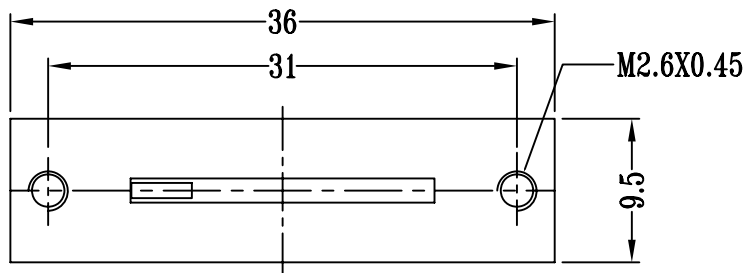
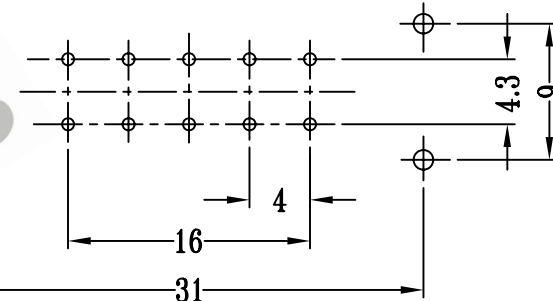
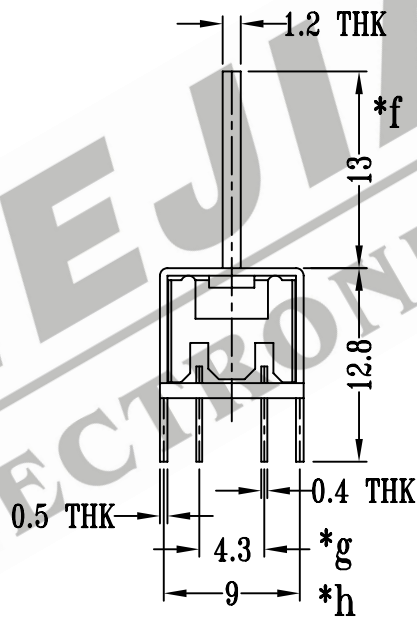
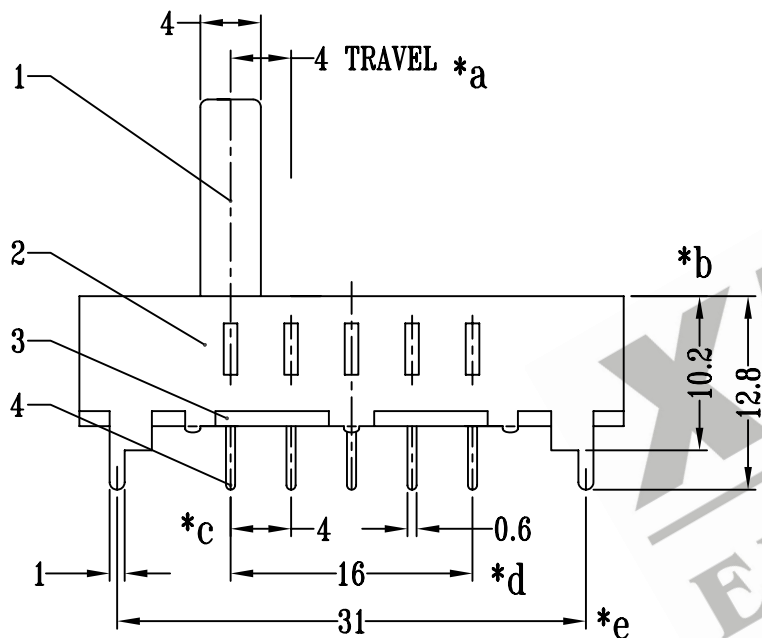


CAD FILE:



SCHEMATIC (NON-SHORTING)



P.C.B LAYOUT

注:带*表示关键尺寸(8个)

8	SLIDER	POM	1	BLACK	TOLERANCE UNLESS SPECIFIED	SHENZHEN XIEJIA ELECTRONICS CO.,LTD.				
7	STEEL BALL	STEEL	2	NATURAL						
6	SPRING	STEEL WIRE	1	TEMPER	WITHIN: 1.5±0.1mm	ISSUE	DATE	DESCRIPTIONS		APPD.
5	CONTACT CLIP	PBS STRIP	1	Ag PLATED	OVER : 1.5±0.2mm					
4	TERMINAL	BRASS STRIP	10	Ag PLATED OVER Ni PLATED	TITLE : SPECIAL FUNCTION SWITCH	UNIT : MM		DRWG NO.: XJ-DR-EX55H01-00		
3	BASE	PHENOLIC RESIN	1	NATURAL	MODEL: EX-55H01	SCALE: 2:1		DWN.	ZHOUYU	2004-5-9
2	FRAME	STEEL STRIP	1	Ni PLATED				CHK'D	FANGYING	2004-5-9
1	STEEL KNOB	STEEL STRIP	1	Ni PLATED	ALL MATERIALS MUST BE COMPLIANT TO ROHS			APPD.	KANGXINAN	2004-5-9
NO.	PART NAME	MATERIAL	Q'TY	FINISHING						